

# Kriben Air<sup>©</sup>

SMALL | SMALL+ | MIDI | WIDE | TALL | LARGE

Assembly Instruction – Montageanleitung  
Instructions d'assemblage – Instrucciones de montaje  
Samlevejledning



Max load 10kg per Shelf

## KRIBEN

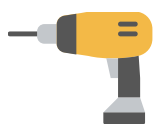
Danish Design - Your life, Your Choice

## Package content:

Anchor Plate:	1 pcs
Shelfs:	2 pcs (M + L)
Wall Bracket:	1 pcs
Screws:	2/4 pcs (ø4,5 x 50mm - cross head)
Rawl plugs:	2/4 pcs (ø6 x 30mm)

---

## Tools:



Drill machine with ø6mm drill



Level






Measurer

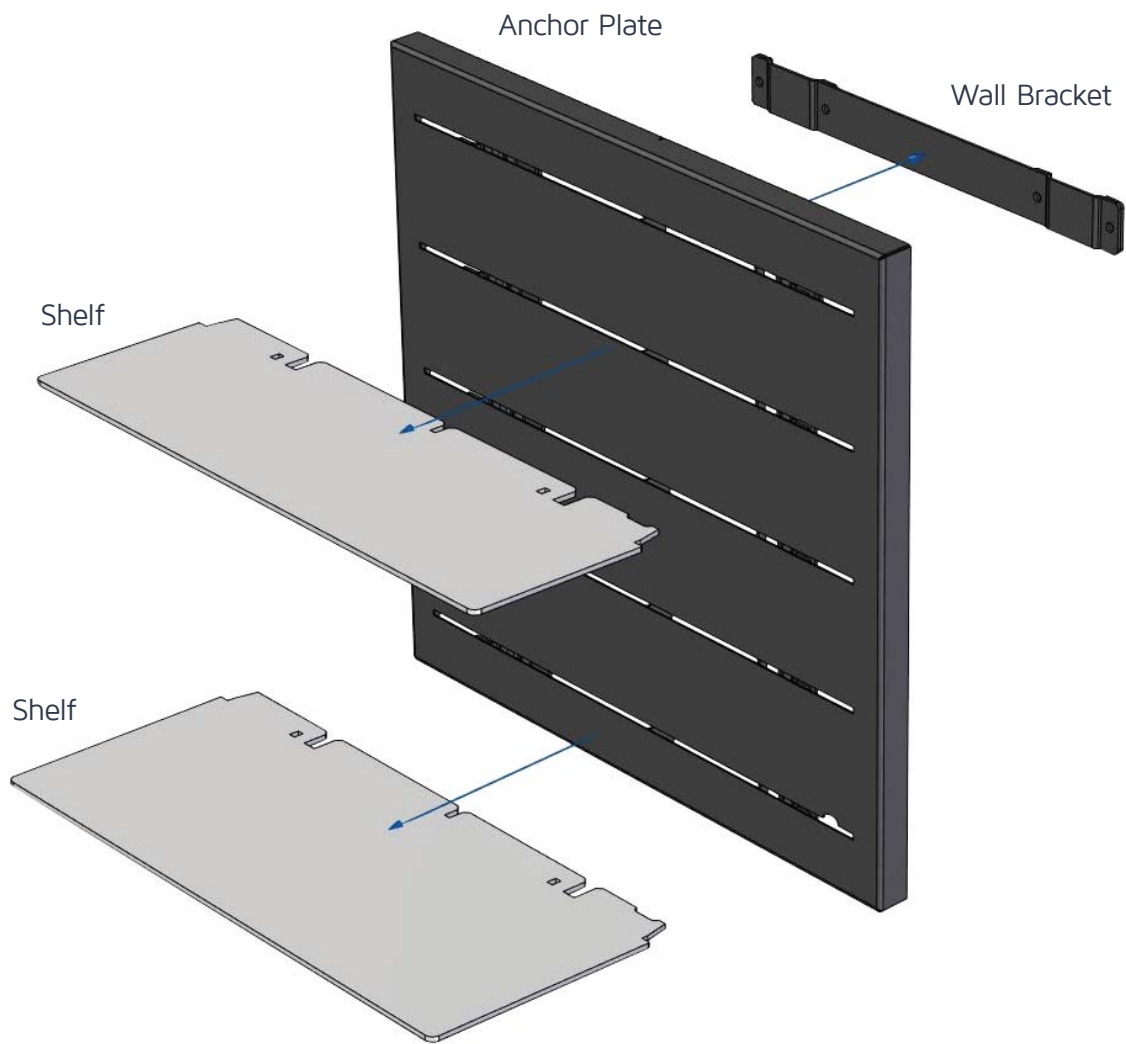


Screwdriver or machine with PZ2 bit (Cross head)

## Important!

-  Please read the full assembly instruction before assembly, to secure smooth and correct assembly of Your new Kriben Air©
-  Avoid position of Shelfs close to door openings, corners and do not place them where kids run.
-  Max load 10kg per Shelf. The Shelfs are designed to bend downwards as load increases - Do not overload!

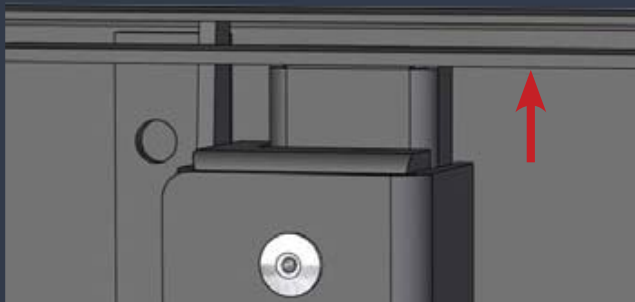
## Details:



! Secure strong wall condition before assembly of the product.

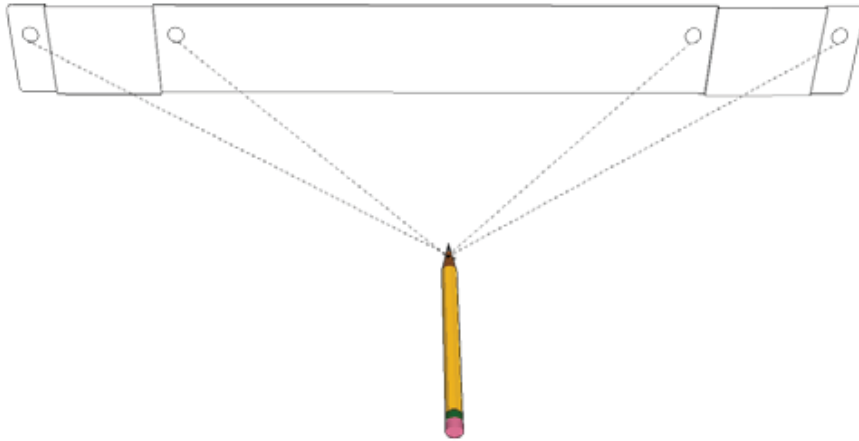
! **UNLOCK** Shelves - top-handle **UP!**

! **LOCK** Shelves - top-handle **DOWN!**

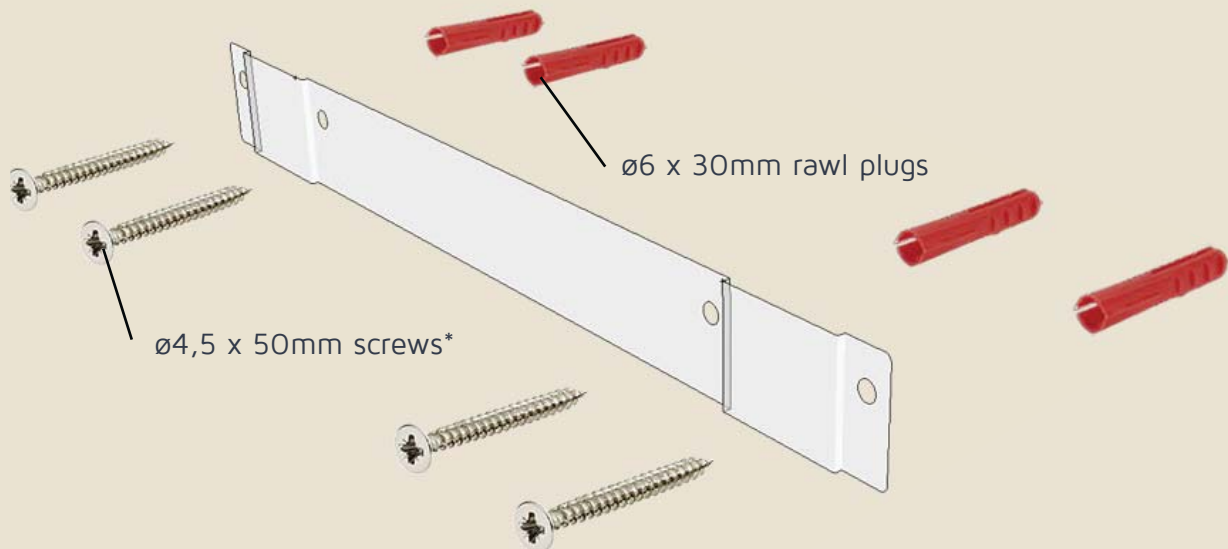


## Attachment of the Wall Bracket:

Use a level to make sure the Wall Bracket is horizontal and mark the hole's positions on the wall with a pencil, use the Wall Bracket as template and drill 4x  $\text{Ø}6 \times 50\text{mm}$  holes in wall (55mm deep) - only 2 holes for SMALL/SMALL+.



Attach the Wall Bracket to the wall with the rawl plugs and screws.



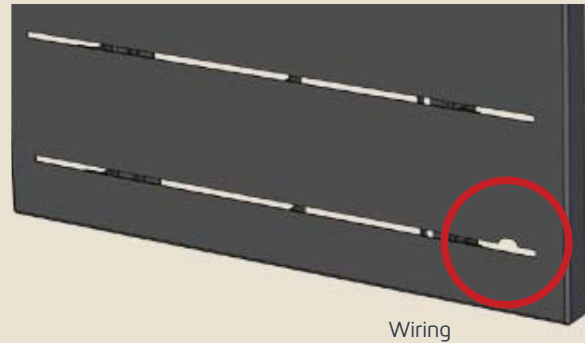
\*Kriben Air SMALL/SMALL+ models have 2 sets of screws - function as in larger models

# Assembly of Anchor Plate and Shelves:

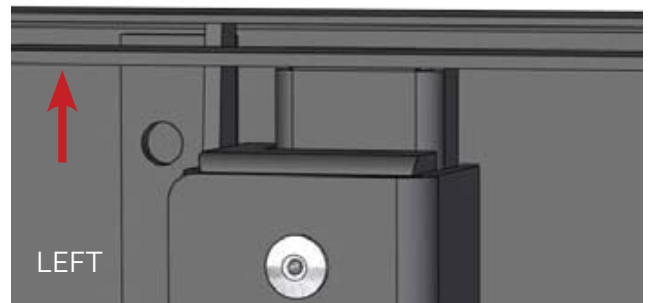
1. Unpack the Anchor Plate and the Shelves carefully.  
Do not scratch the parts when handling!

2. Anchor Plate orientation:  
Top-handles at the **TOP** –  
Wiring at the **BOTTOM**.

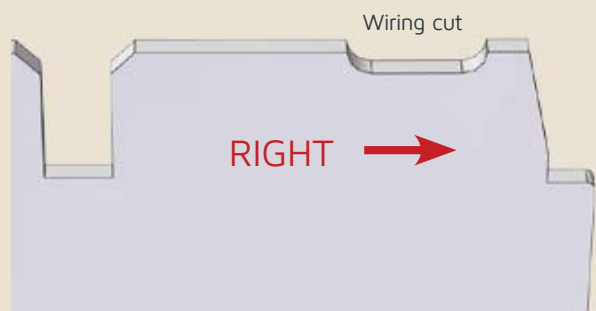
(The top-handles are on the back of the Anchor Plate)



3. Unlock the **LEFT** lock in the Anchor Plate by sliding the top-handle **UP** – and keep it open by holding it **UP**.



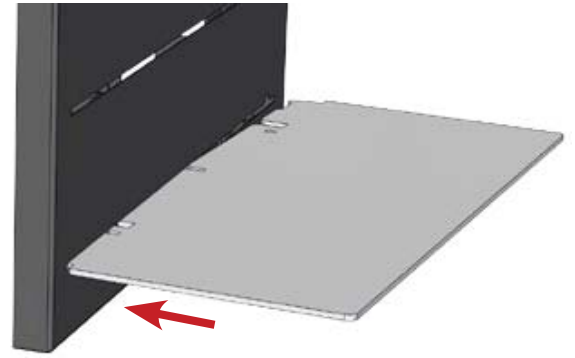
4. Make sure Shelf orientation is with the cut for wiring at the **RIGHT**.



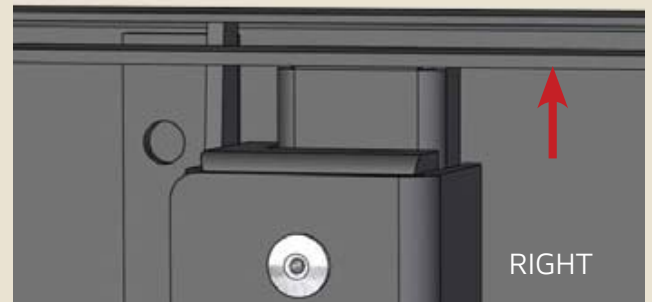
5. Then slide the **LEFT** side of the Shelf **HALF-WAY** into the **LEFT** lock.

**IMPORTANT:**

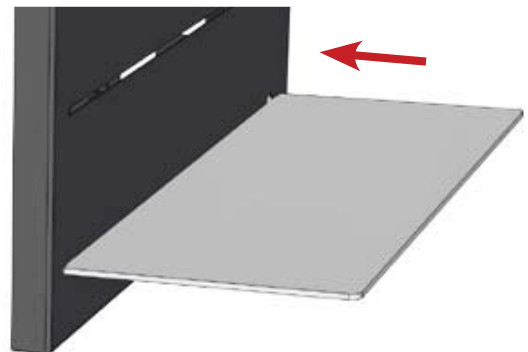
Only **HALF-WAY** in the **LEFT** and not at **RIGHT**. Be carefull - do not use excessive force!



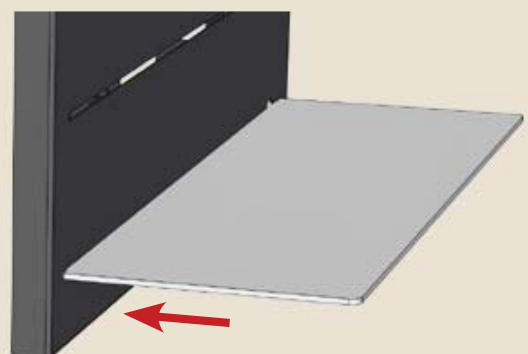
6. Unlock the **RIGHT** lock in the Anchor Plate by sliding the top-handle **UP** - and keep it open by holding it **UP**.



7. Then slide the Shelf **ALL THE WAY** into the **RIGHT** and **LEFT** lock.



8. Secure that Shelves are fully into the Anchor Plate at both **RIGHT** and **LEFT**.



9. Now lock both the **LEFT** and **RIGHT** locks by sliding the top-handle **DOWN**.

**IMPORTANT:**

Be careful - do not use excessive force!

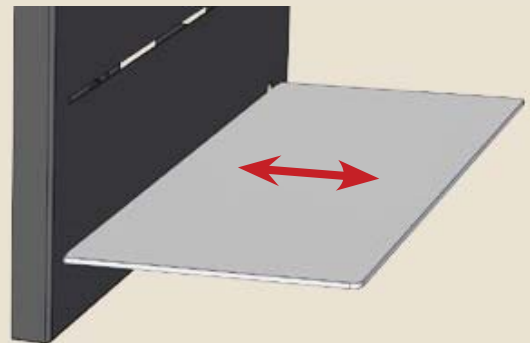
If resistance, check if the Shelf is slid all the way into the Anchor Plate - If not, redo above procedure and secure that the Shelf are slid all the way into the Anchor Plate.



10. Check that the Shelves are locked to the Anchor Plate by pulling the Shelves outwards.

**IMPORTANT:**

Make sure the Shelves are locked.



11. Hang the Anchor Plate with the attached Shelves on to the Wall Bracket.

We recommend, You screw the Wall Bracket to the wall before assembly of the Anchor Plate and Shelves, so the Wall Bracket is ready for the assembled Kriben Air© Anchor Plate and Shelves.

All done, ready to use.

# Enjoy Your new Kriben Air<sup>©</sup>

We are proud that You have chosen one of our  
designer products to be part of Your home



Max load 10kg per Shelf

## KRIBEN

Danish Design - Your life, Your Choice